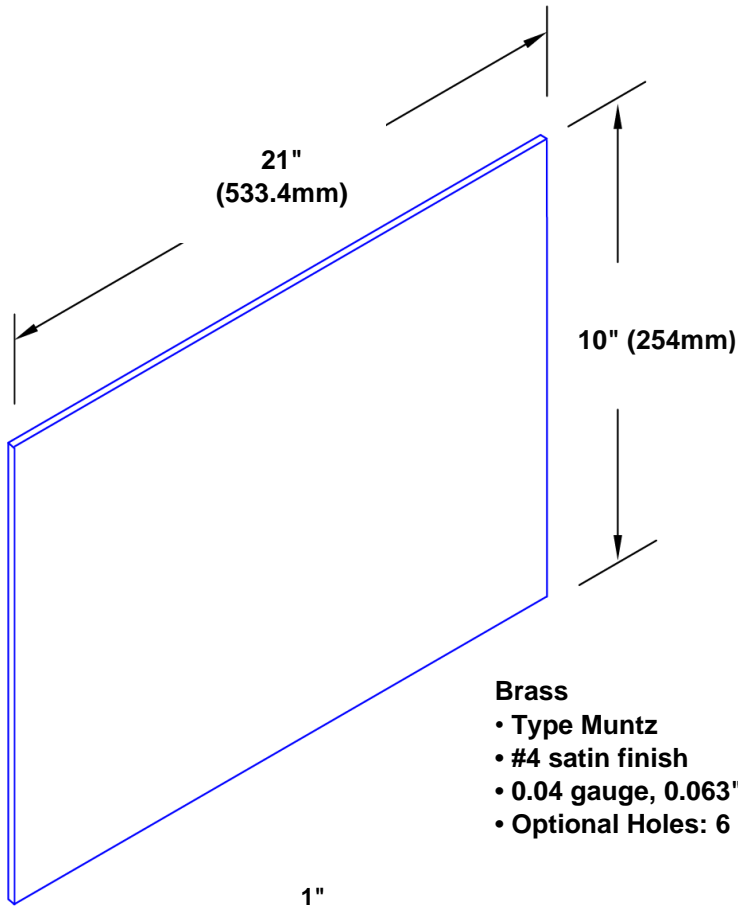


# TheKickPlateStore

## Brass Kick Plate

10" x 21"



- Brass**
- Type Muntz
  - #4 satin finish
  - 0.04 gauge, 0.063" (1.524mm)
  - Optional Holes: 6



| # of Holes | Kick Plate Size                     |
|------------|-------------------------------------|
| 6          | 6x24 to 16x24                       |
| 8          | 24x24, 6x32 to 16x32, 6x48 to 16x48 |
| 10         | 24x32 to 24x48, 24x32, 24x48        |
| 12         | 32x32 to 48x48                      |

Dimensions are specified as Width x Height

### Optional Drilling

### Features:

- Custom sizes Available
- Type

### Finishes:

- Brushed #4
- Mirror Polished #8 optional

### Mounting Options:

- Adhesive:
  - Construction adhesive supplied separate
- Drilled:
  - Clearance holes for 1/8" #8 fastener wood screw
- Magnetic:
  - Metal doors only

### Beveled Edge Option

Includes chamfered left, top and right edges custom configurations of beveled edges are available upon request.



Section At Beveled Edge

### Optional Beveling