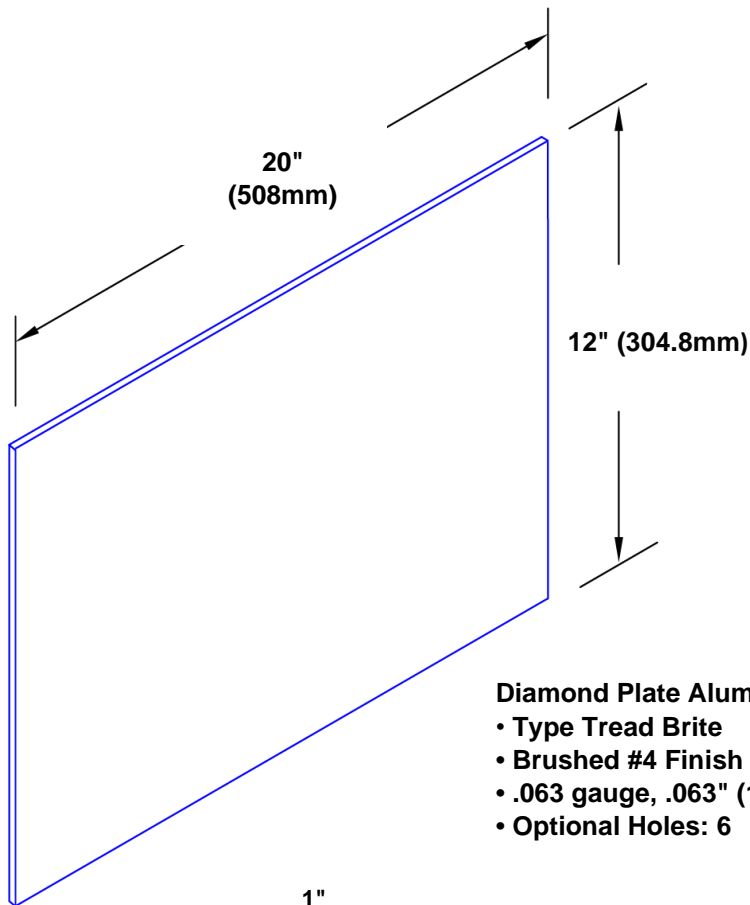


TheKickPlateStore

Diamond Plate Aluminum Kick Plate

12" x 20"



Features:

- Custom sizes Available
- Type

Finishes:

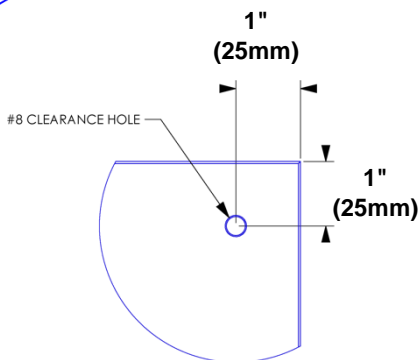
- Brushed #4
- Mirror Polished #8 optional

Mounting Options:

- Adhesive:
 - Construction adhesive supplied separate
- Drilled:
 - Clearance holes for 1/8" #8 fastener wood screw
- Magnetic:
 - Metal doors only

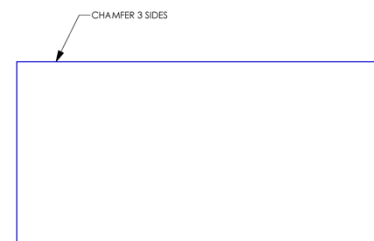
Diamond Plate Aluminum

- Type Tread Brite
- Brushed #4 Finish finish
- .063 gauge, .063" (1.6002mm)
- Optional Holes: 6



Beveled Edge Option

Includes chamfered left, top and right edges custom configurations of beveled edges are available upon request.



Elevation



Section At Beveled Edge

Optional Beveling

# of Holes	Kick Plate Size
6	6x24 to 16x24
8	24x24, 6x32 to 16x32, 6x48 to 16x48
10	24x32 to 24x48, 24x32, 24x48
12	32x32 to 48x48

Dimensions are specified as Width x Height

Optional Drilling