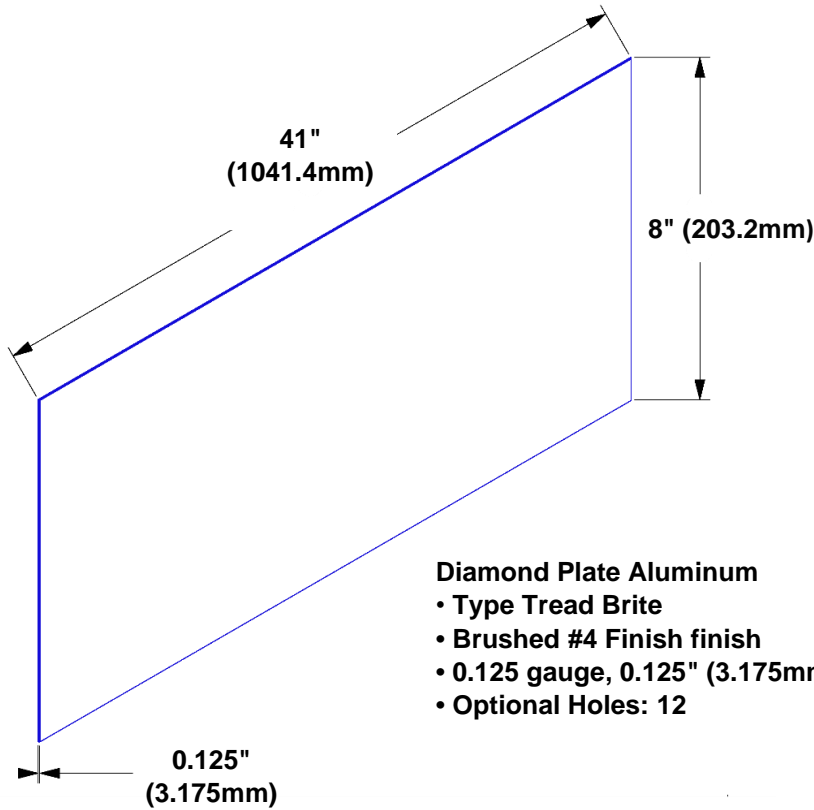


# TheKickPlateStore

## Diamond Plate Aluminum Kick Plate

8" x 41"



- Diamond Plate Aluminum**
- Type Tread Brite
  - Brushed #4 Finish finish
  - 0.125 gauge, 0.125" (3.175mm)
  - Optional Holes: 12

**Features:**

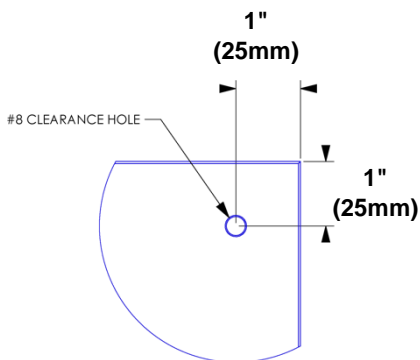
- Custom sizes Available
- Type

**Finishes:**

- Brushed #4
- Mirror Polished #8 optional

**Mounting Options:**

- Adhesive:
  - Construction adhesive supplied separate
- Drilled:
  - Clearance holes for 1/8" #8 fastener wood screw
- Magnetic:
  - Metal doors only



# of Holes	Kick Plate Size
6	6x24 to 16x24
8	24x24, 6x32 to 16x32, 6x48 to 16x48
10	24x32 to 24x48, 24x32, 24x48
12	32x32 to 48x48

Dimensions are specified as Width x Height

**Optional Drilling**

**Beveled Edge Option**

Includes chamfered left, top and right edges custom configurations of beveled edges are available upon request.



**Section At Beveled Edge**

**Optional Beveling**